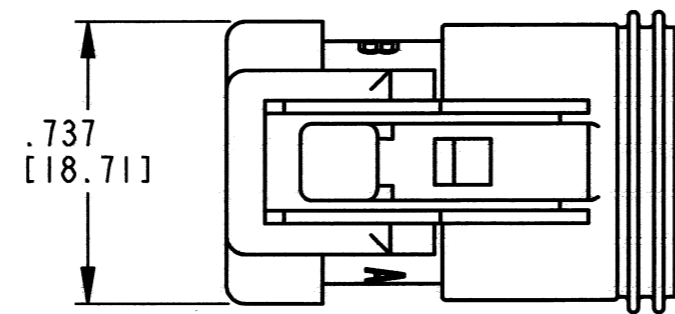
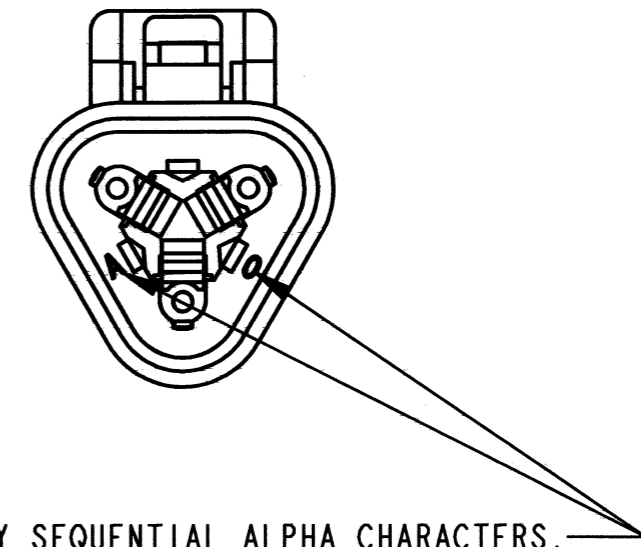
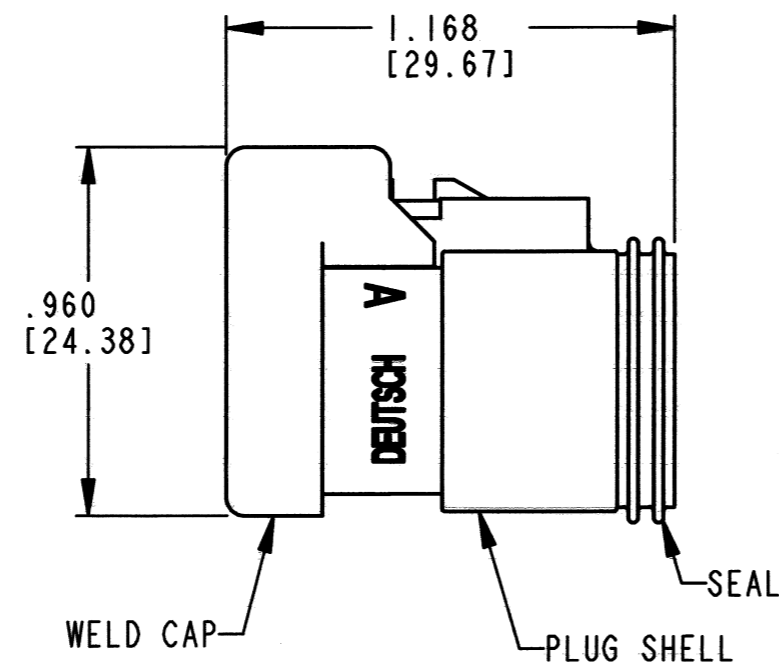
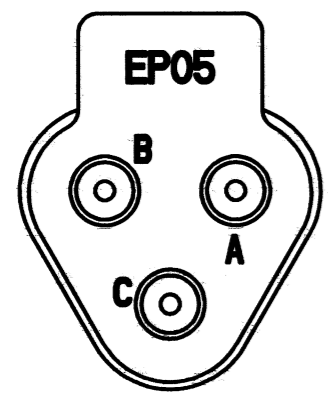


REV
A DT06-3S-EP05

REVISIONS			
SYM	DESCRIPTION	DATE	APPROVED
NC	NEW RELEASE PER E.O. A12874	9/29/92	J.A.
A	REVISED/REDRAWN PER E.O. P20860	7-14-11	RAR



CONTACT SIZE	MIN. INSUL O.D.	MAX. INSUL O.D.	WIRE RANGE [mm ²] REF. ONLY
16	.088 [2.24]	.145 [3.68]	14-20 AWG [2.0-0.5]



DATE CODE: MONTH REPRESENTED BY SEQUENTIAL ALPHA CHARACTERS.
 EX. A = JANUARY
 YEAR IS REPRESENTED BY LAST NUMERICAL DIGIT.
 EX. 0 = 2010

- 5. MATERIAL - SHELL: PLASTIC; SEALS: RUBBER
- 4. THIS PLUG MATES WITH DT04-3P-**** RECEPTACLE (**** = ALL MODIFICATIONS). CONSULT FACTORY FOR MODIFICATIONS.

3. FOR CONTACTS AND WIRE PERFORMANCE AND APPLICATION CHARACTERISTICS, SEE ENVELOPE DRAWINGS 0425-015-0000 AND 0425-017-0000.


2. DIMENSIONS ARE ±.025[.64] UNLESS OTHERWISE SPECIFIED.

NOTES: 1. ALL DIMENSIONS ARE INCHES [MILLIMETERS].

SIGNATURE & DATE	
DR	A. MALAGON 23MAR11
CHK	D. Sanford 7/14/2011
PE	K. Messing 7/13/11
APPD	S. Baum 7/13/11
SCALE	NONE WT

3 WAY PLUG
D.T. SERIES

ENVELOPE

EP	MATL. CODE
 3850 INDUSTRIAL AVE. HEMET, CA 92545	
DEUTSCH INDUSTRIAL	
B DT06-3S-EP05	
DWG SIZE	CODE 11139 SHEET OF